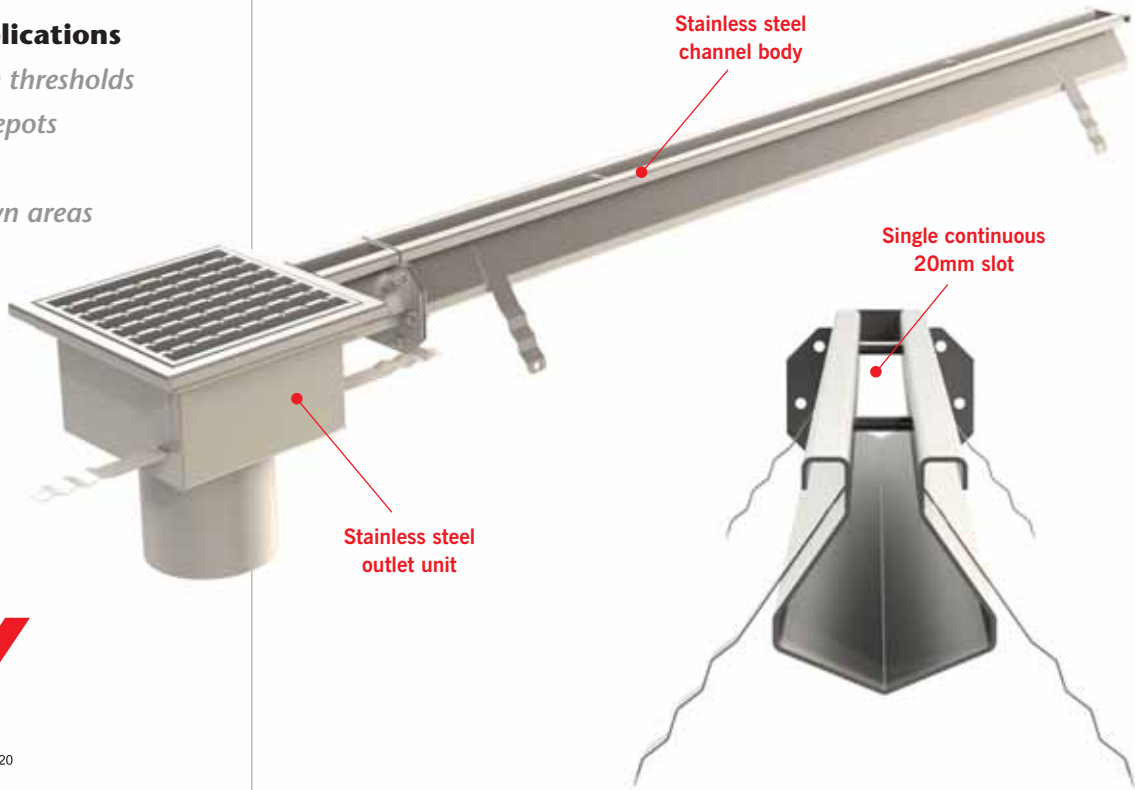


SlotChannel

Stainless steel slot drainage

Typical Applications

- Cool room thresholds
- Storage depots
- Wineries
- Wash-down areas



SlotChannel system

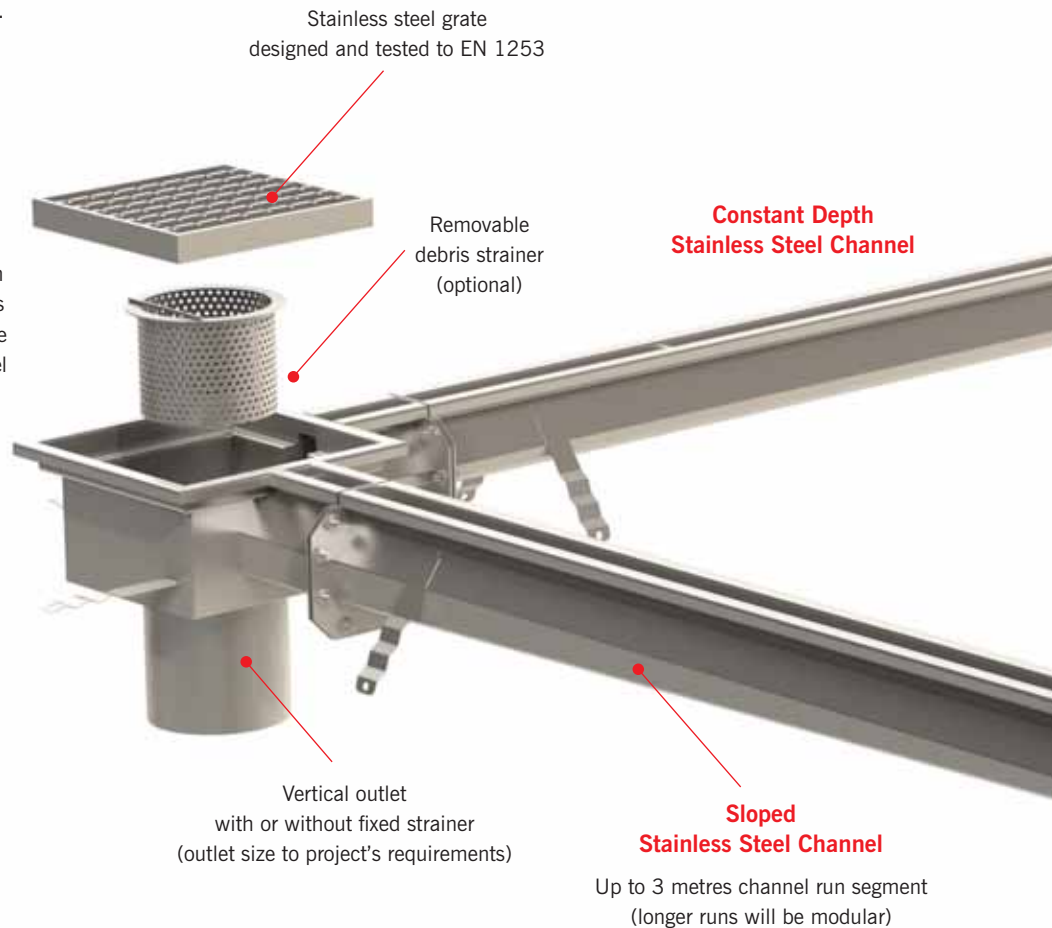
SlotChannel is a general purpose stainless steel slot drainage system. The continuous slot allows for easy pressure cleaning.

When fitted with a solid edge, SlotChannel is capable of withstanding heavy wheel loads.

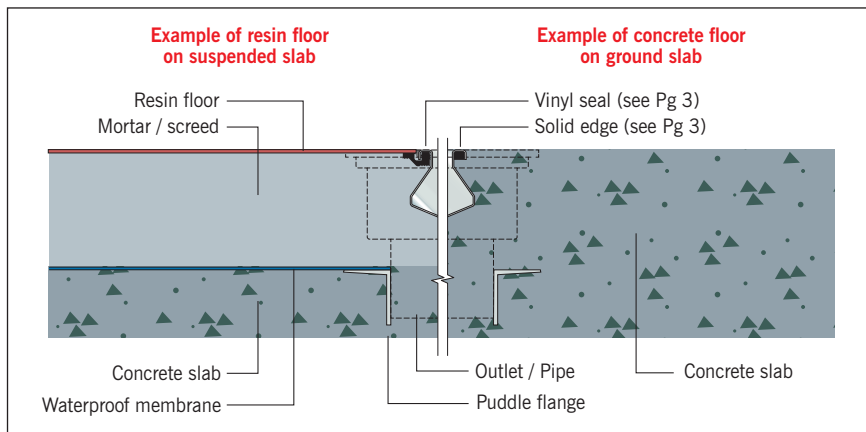
There is no Australian Standard that governs the structural performance of linear channels. ACO believes that EN 1253 is the most appropriate international Standard to adopt.

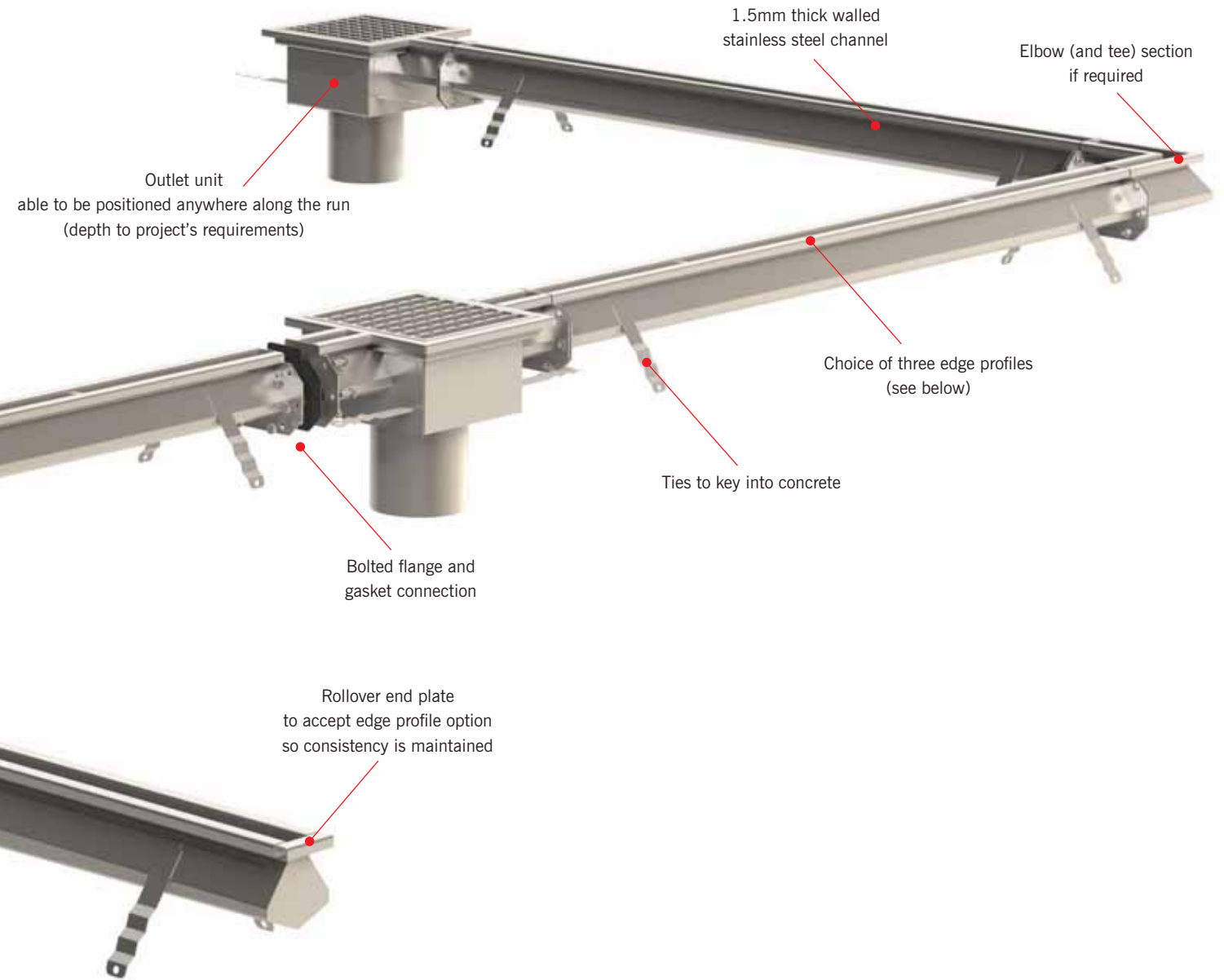
SlotChannel is designed so that load is transferred into the concrete surround, thus the concrete gives the channel its strength. For this reason, the specification of the concrete is important. ACO recommends using 25MPa concrete, which will achieve an M125 load class according to EN 1253. This is equivalent to a slow moving pneumatic tyre load of 5000kg, or a slow moving solid wheel load of 750kg.

The image shown is a typical SlotChannel system layout. System layouts can be designed to meet specific project requirements.

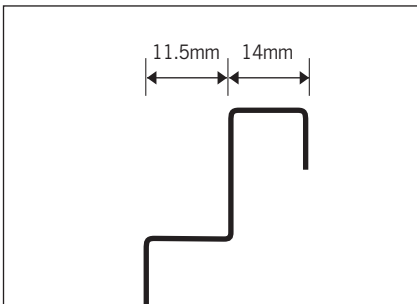


Typical Installation



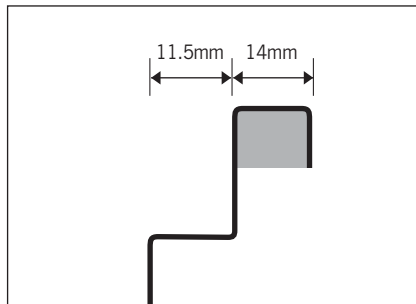


Edge Profile Options



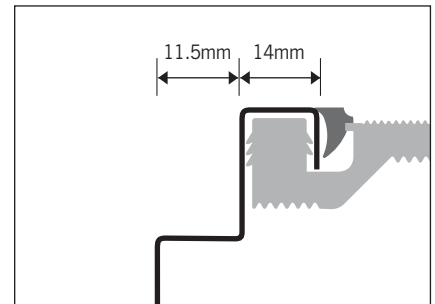
Standard Edge

An all purpose channel suitable for tiles, concrete and resin floors in pedestrian and light commercial applications.



Solid Edge

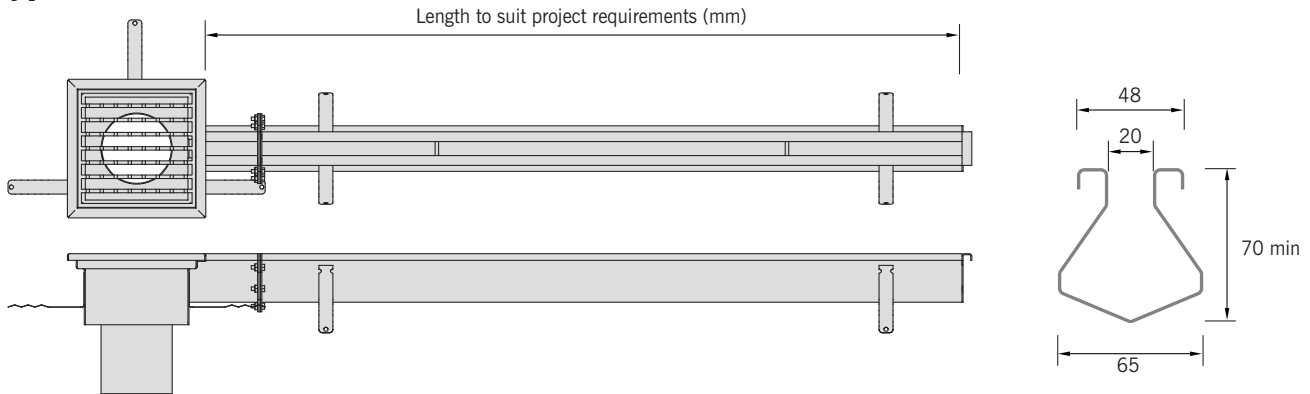
Provides strength in dense traffic areas, and when floor surround is poured, avoids having to fill beneath the edge.



Vinyl Seal

Provides superior seal between channel and vinyl sheet flooring applications. Also suitable for some resin floor applications.

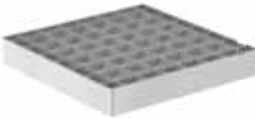
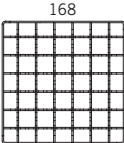
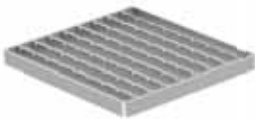
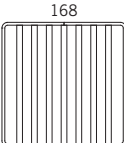
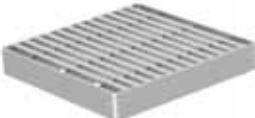
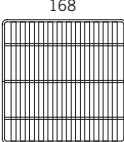

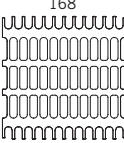
Typical Details



Note: All dimensions are in mm.

Product Table

SlotChannel is a continuous slot drainage system. Outlet units require grates for access. These are detailed below.

		Grate	Load Class EN 1253 ²	Surface Type	Weight (kg)	Stainless Steel Grade	Part No.		
		Mesh	L15 (150 kg)	Slip resistant	0.8	304	408090		
				Plain	0.8	316	408190		
						Slip resistant	0.7	304	408023
								316	408123
		Ladder	R50 ¹ (2500 kg)	Slip resistant	1.6	304	416912		
					1.9	316	416913		
					M125 (5000 kg)			304	408093
								316	408193
		5 Star	R50 ¹ (2500 kg)	Slip resistant	1.1	304	142009		
		Cast	M125 (5,000 kg)	Slip resistant	2.1	304	416942		

1. Draft prEN 1253.
2. Recommended wheel loads shown are for pneumatic tyres only. Solid tyres may intensify the load.

ACO Polycrete Pty Ltd

Head Office:
134-140 Old Bathurst Road
Emu Plains NSW 2750
Tel: 1300 765 226
+61 2 4747 4000
(International)
Fax: +61 2 4747 4060
Email: sales@acoaus.com.au
Web: www.acoaus.com.au

Branches in: New South Wales / Australian Capital Territory
Victoria / Tasmania
South Australia / Northern Territory
Queensland
Western Australia

Follow us on



Quality
Endorsed
Company
ISO 9001
OEC 1883
SAI Global
Assurance Services