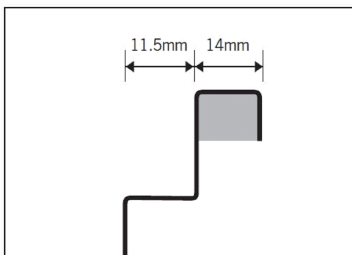
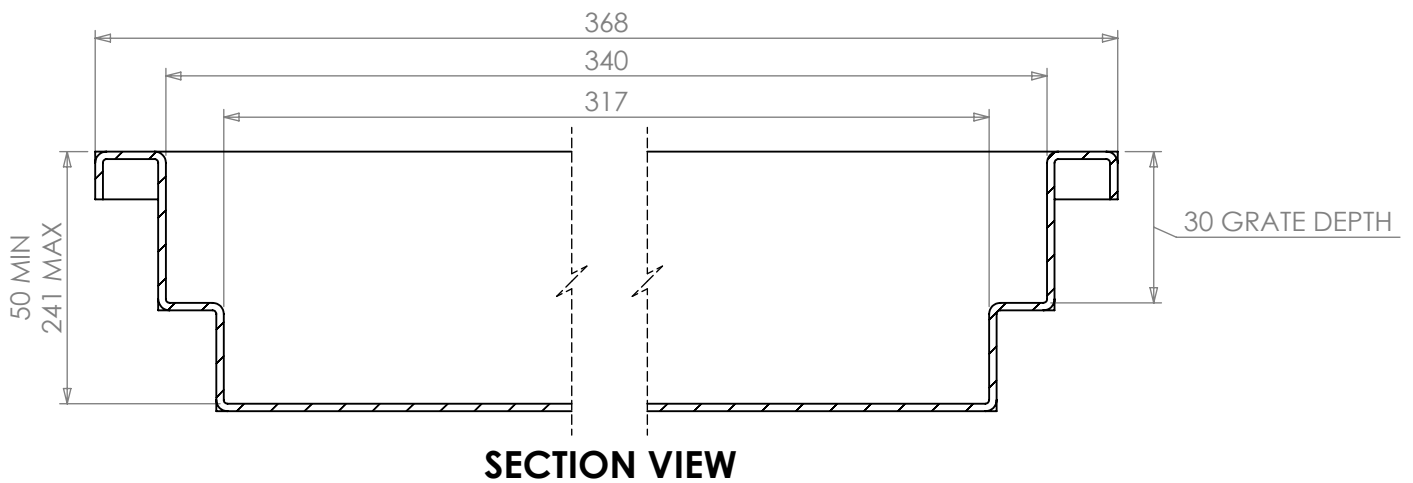
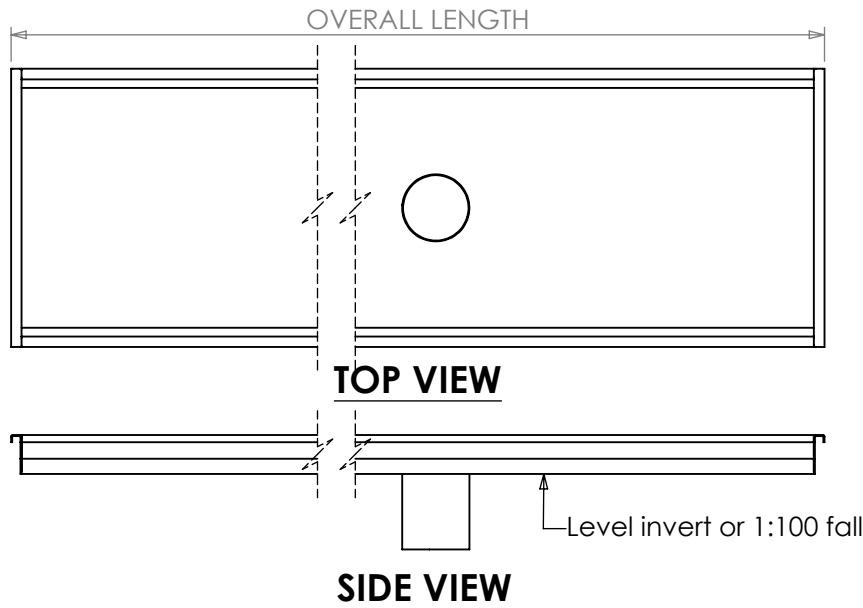
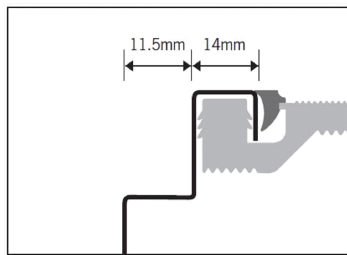


SYSTEM 300 CHANNEL WITH STANDARD EDGE



Solid Edge

Provides strength in dense traffic areas, and when floor surround is poured, avoids having to fill beneath the edge.



Vinyl Seal

Provides superior seal between channel and vinyl sheet flooring applications. Also suitable for some resin floor applications.

GRATE OPTIONS

- Stainless 5 Star Heelsafe® Anti-Slip - Class B
- Stainless Wedgewire Heelsafe® Anti-Slip - Class B
- Stainless Mesh - Class D
- Stainless Ladder Anti-Slip - Class D

©2014 COPYRIGHT ACO POLYCRETE PTY LTD.

All dimensions are in mm

SALES ILLUSTRATION



REF. No.	
14-09	
REVISION:	-
CHK'D	

ACO Polycrete Pty Ltd

134-140 Old Bathurst Road, Emu Plains NSW 2750
Tel: +61 2 4747 4000, Fax: +61 2 4747 4040, Website: www.acoaus.com.au

All reasonable care has been taken in compiling the information in this illustration. All recommendations and suggestions on the use of ACO products are made without guarantee since the conditions of use are beyond the control of the company. It is the customer's responsibility to ensure that each product is fit for its intended purpose and that the actual conditions of use are suitable. ACO Polycrete pursues a policy of continuous product development and reserves the right to amend specifications without notice.

This illustration is for ACO sales purposes only. Any other use of this illustration is prohibited by ACO Polycrete.